



Specifications and technical data are subject to change without notice.
Please contact to confirm relevant information on ordering.

 No.18, Gutang Rd, Shanghai 201209, China
 +86 21 5032 0898
 +86 21 5032 0828
 info@ebasee.com
 www.ebasee.com



Copy right reserved EBS.NO.2021001

Ebasee

Smart Living Green Ebasee



CONTROL ELECTRIC



COMPANY PROFILE

As a leading supplier in the low voltage electrics industry, Shanghai Ebasee Electric Co., Ltd. products have been used for residential, commercial and industrial applications with its quality and service. EBASEE brand is recognized for its quality and reliability in an ever-increasing number of markets worldwide. So far EBASEE products have been approved by international labs including BV, TUV, Intertek, with KEMA, CB, SEMKO, RoHS, CE, and CCC etc.

With qualified raw materials and components supply, all products are manufactured by EBASEE's defined international specifications. We have 4 semi-auto production lines, up-to-date quality control facilities, well-trained and experienced workers. Moreover, with a technical R & D team and fully equipped in-house laboratory, EBASEE factory can carry out efficient new products development, daily production and QC.

EBASEE have a wide range of cooperations with world leading companies in new products development, OEM and ODM cooperation. Meanwhile, we process the idea of green and smart energy, working with universities such as Xi'an Jiao Tong University to get more intelligent and environmental electric solutions.

EBASEE focused on achieving growth through the success of worldwide partners. Guided by the philosophy of "market-oriented", powered by the idea of "Quick response and flexible supply", EBASEE support our worldwide partners to compete against established global players, to deliver the most systematic and cost-effective products and service in the market.

"Smart life, Green EBASEE"



PRODUCTION LINE

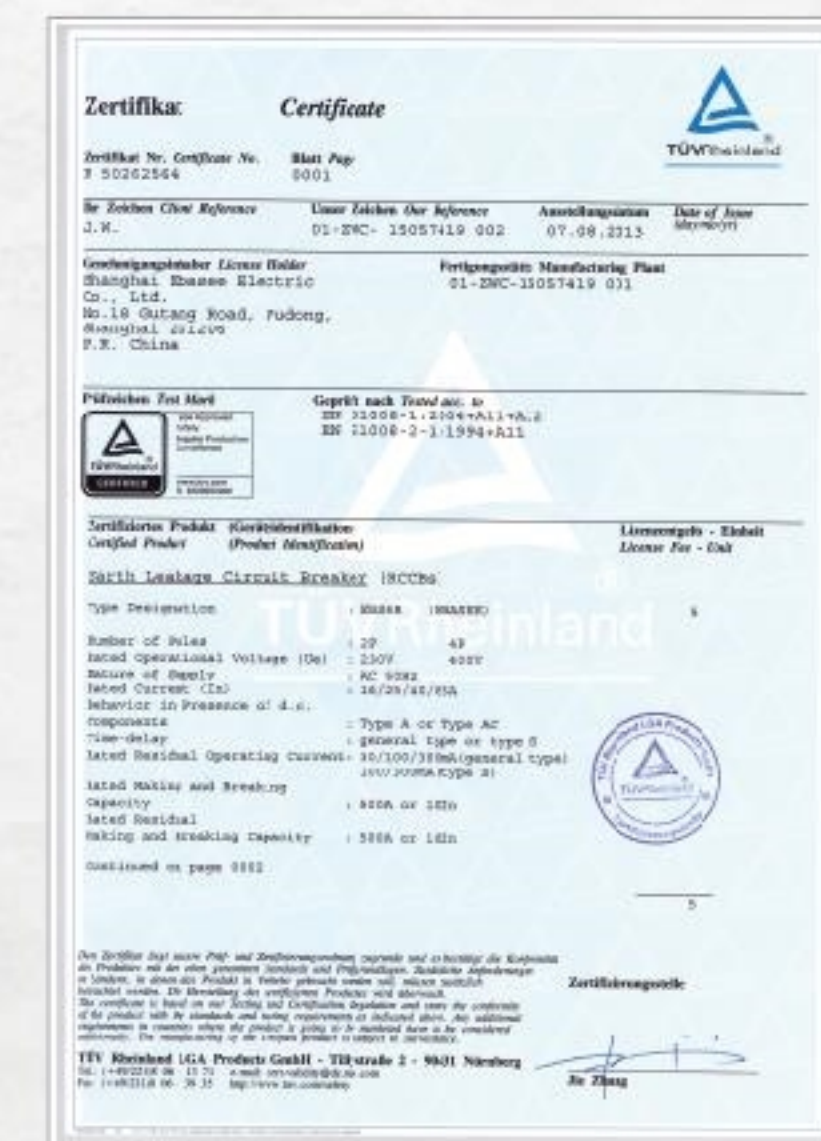
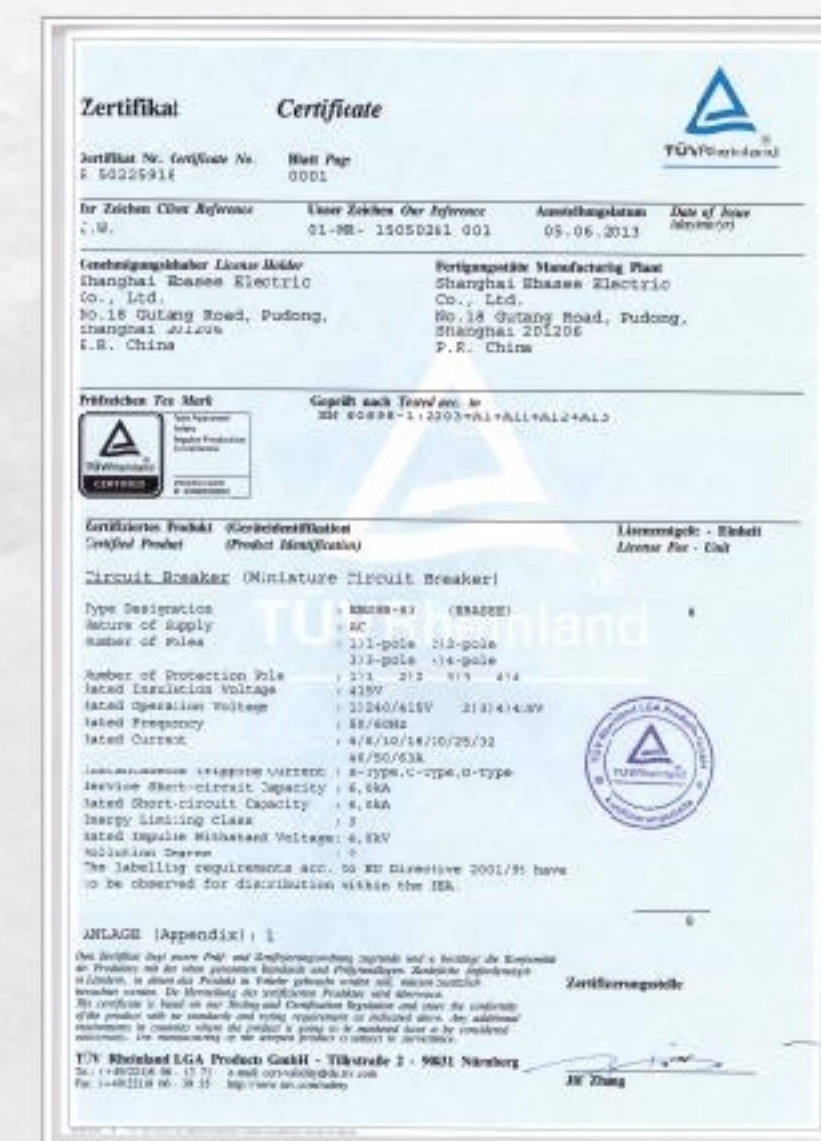
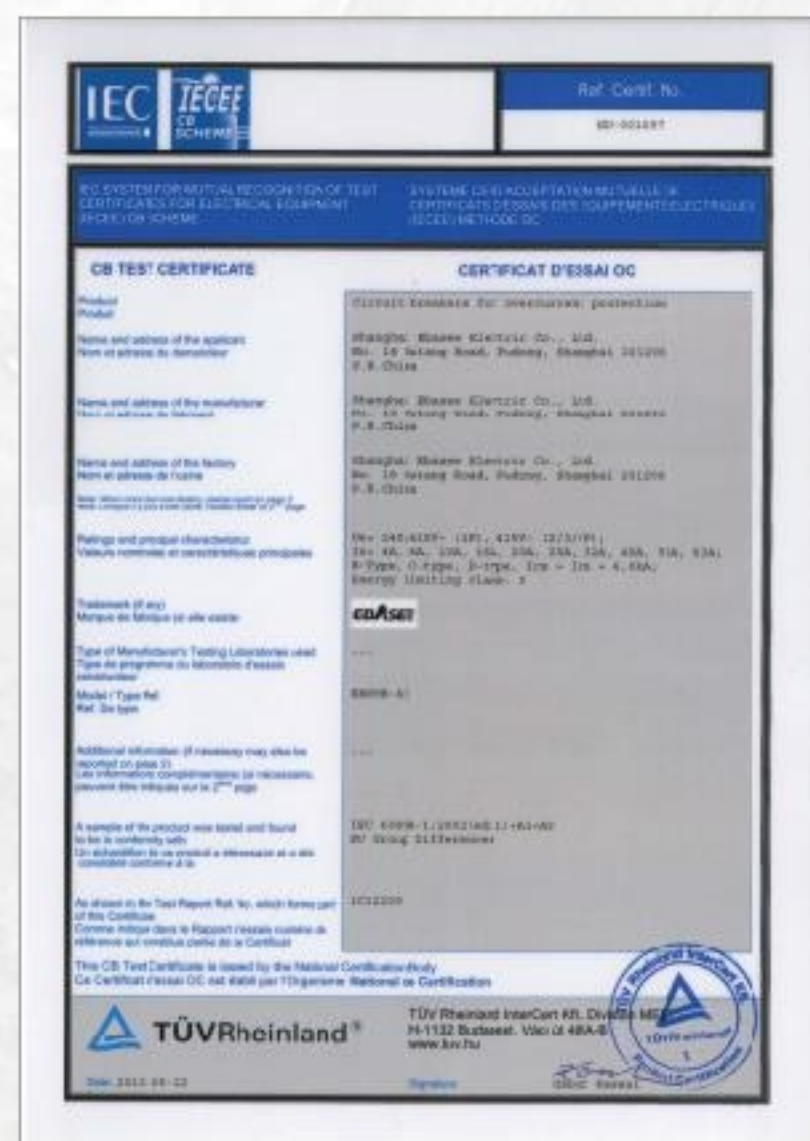
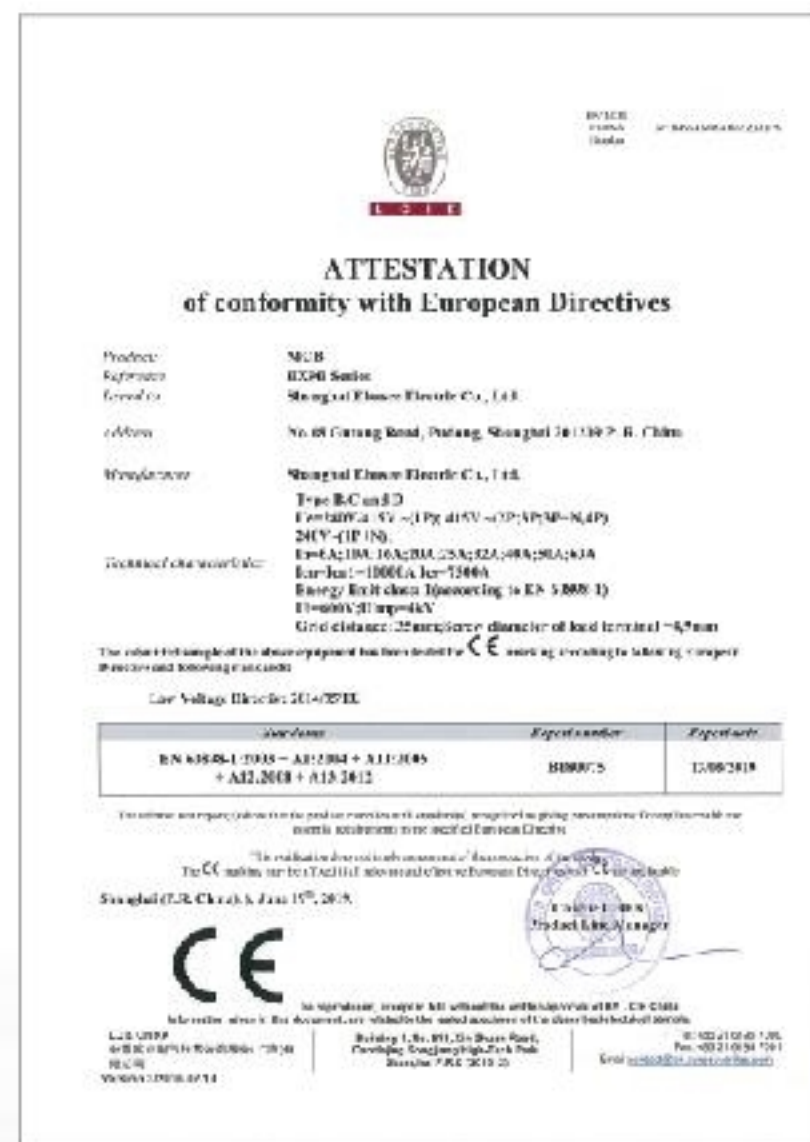


SMART LIVING GREEN EBASEE



INTERNATIONAL QUALITY CERTIFICATE

EBASEE products have been approved by international labs including BV, TUV, Intertek, with KEMA, CB, SEMKO, RoHS, CE, and CCC etc.



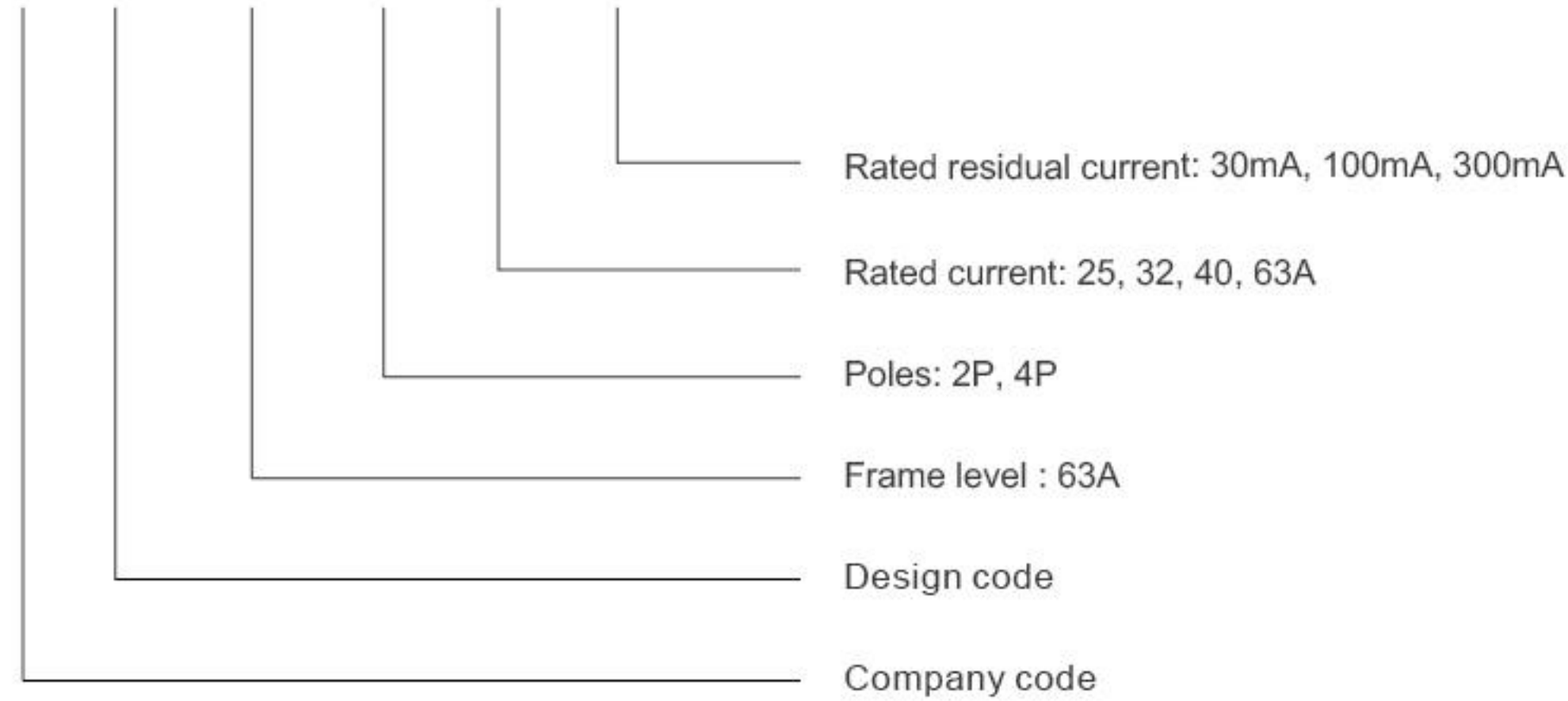
1. Function

- Provides protection against earth fault/leakage current and function of isolation
- High short-circuit current withstand capacity
- Applicable to terminal and pin/U type busbar connection
- On off display function of contact position
- Fire resistant plastic parts endures abnormal heating and strong impact
- Automatically disconnect the circuit when earth fault/leakage current occurs and exceeds the rated sensitivity



2. Nomenclature

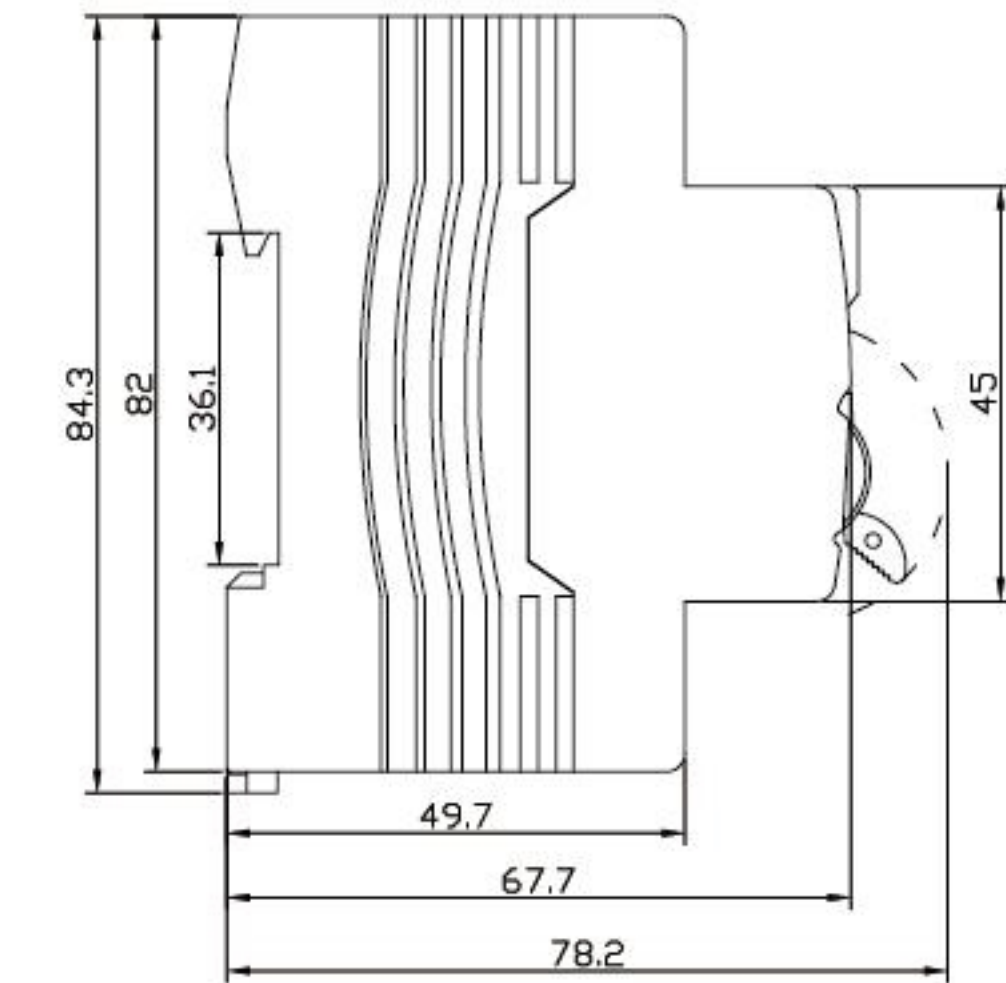
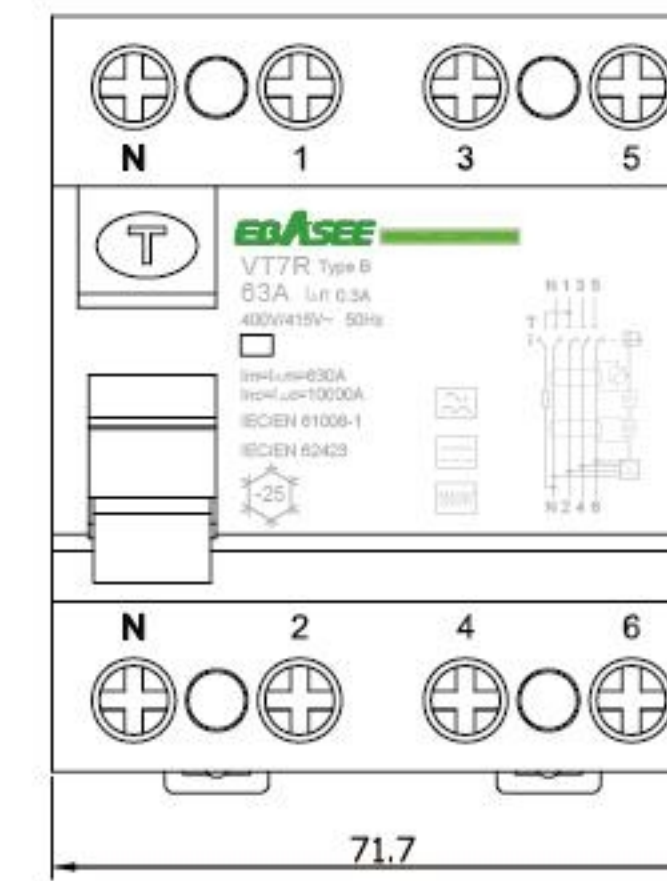
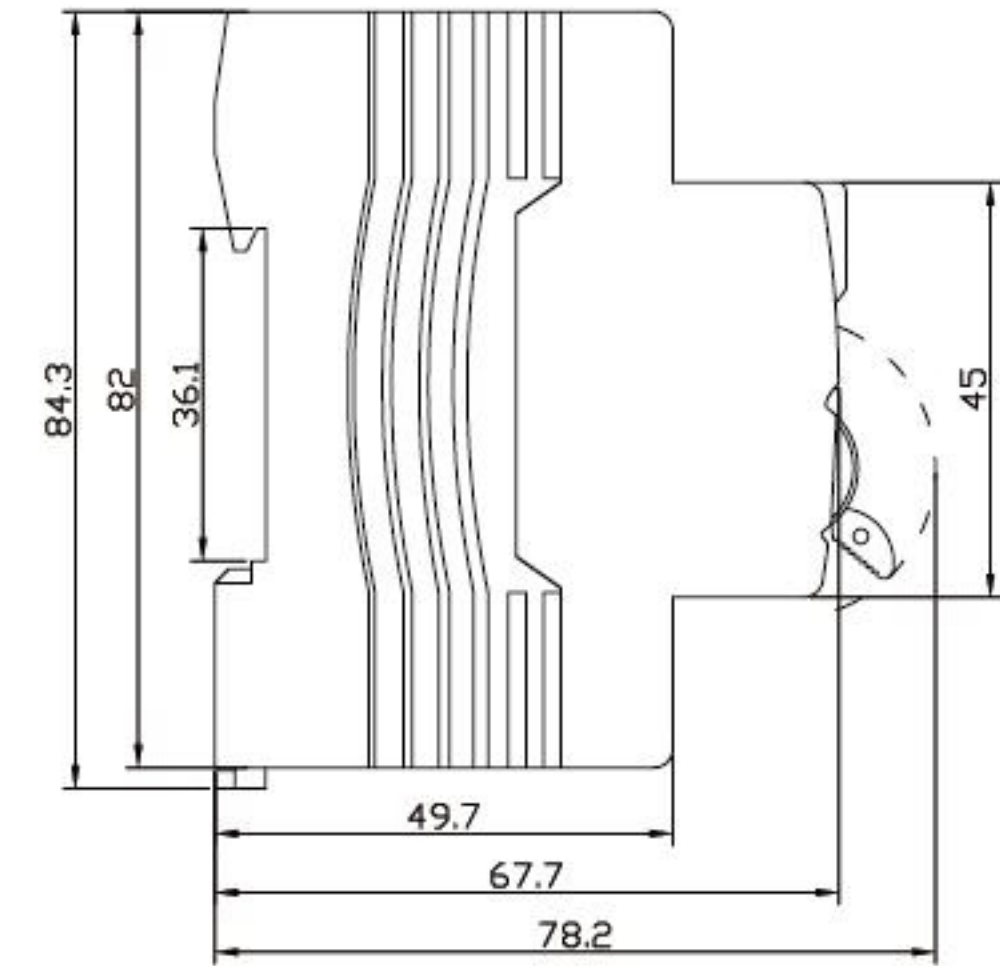
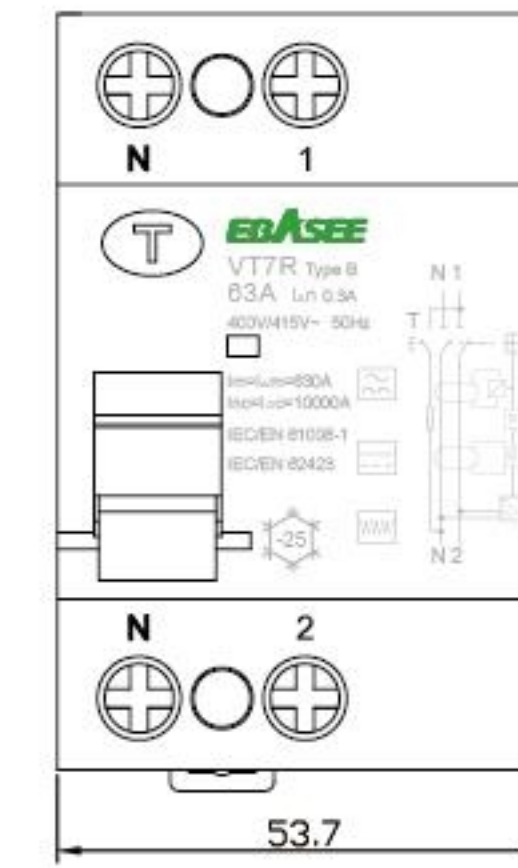
VT 7R - 100 / 2P 25 / 30



3. Specifications

Type	Standard		IEC61008
Electrical features	Rated current I _n	A	25, 32, 40, 63
	Poles	P	2, 4
	Rated voltage U _e	V	2P: 230V~ 50/60Hz 4P: 400V~ 50/60Hz
	Rated conditional short-circuit current I _{cn}	A	6000
	Rated residual operating current I _{Δn}	mA	30,100,300
	Rated residual non operating current I _{Δno}		0.5I _{Δn} ~I _{Δn}
	Action time	s	instantaneous type ≤0.1s
Mechanical features	Protection degree		IP20
	Ambient temperature (with daily average ≤35°C)	°C	-5~+40
Installation	Mounting		DIN rail 35mm, panel mounting

4. Overall And Mounting Dimensions



5. Order Note

Following items should be marked when ordering	Ordering sample
Product name, model & frame level	To order VT7R residual current circuit breaker, frame level 63A, 2P,
Poles	rated current 25A, rated residual current is 30mA, quantity 100
Tripping characteristic and rated current	pieces, should be marked:
Rated residual current	RCCB VT7R/2P 25/30, 100PCS.
Quantity	